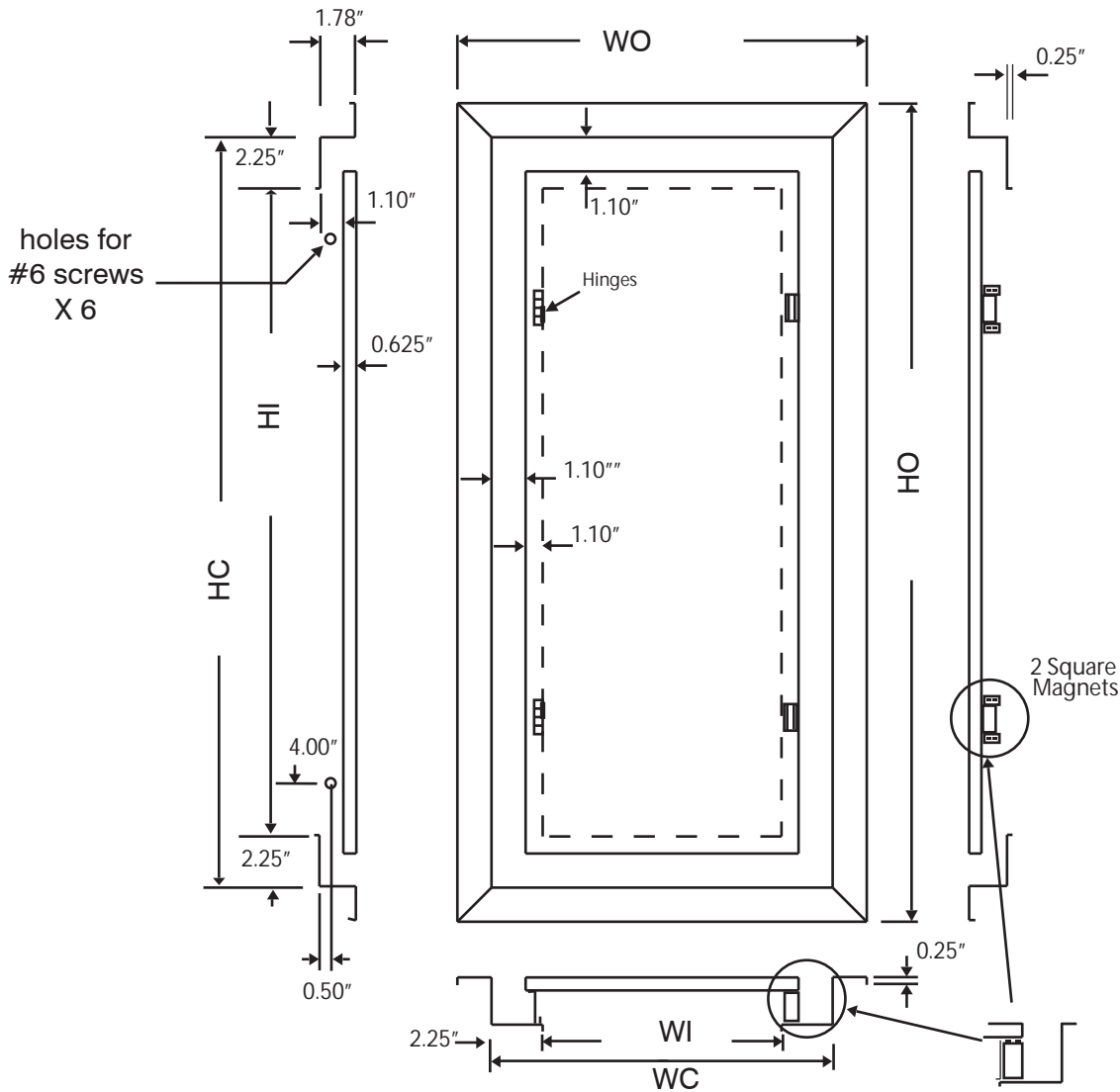


Return Air Acoustical Access Panels Aluminum Ceiling Supply Air Diffuser

Material: All steel construction.
Finish: Powder paint coating - white.
Latch: Square magnets



Nominal Size	W	H
(Cut Hole Size)		
Collar Size	WC	HC
(= nominal - 0.25")		
Frame O. Dim.	WO	HO
(= nominal + 2.25")		
Frame I. Dim.	WI	HI
(= nominal - 4.75")		

Finish	
<input type="checkbox"/> /W White (Default)	<input type="checkbox"/> /C Custom (Please Specify)



Schedule Type: _____

Project: _____

Architect: _____

Engineer: _____

Contractor: _____