

Single Deflection Spiral Duct Steel Grille Adjustable Air Pattern

- Material:** Steel fins in extruded aluminum frame.
Adjustable blades.
- Finish:** Powder paint coating - white.
- Mounting:** Screw holes mounting.
- Spacing:** 2/3" Blade Spacing


GDS18

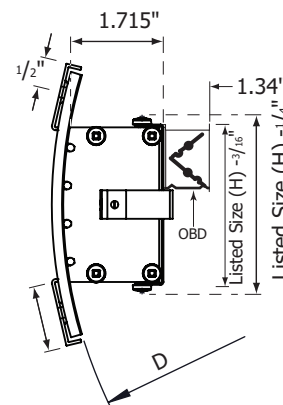
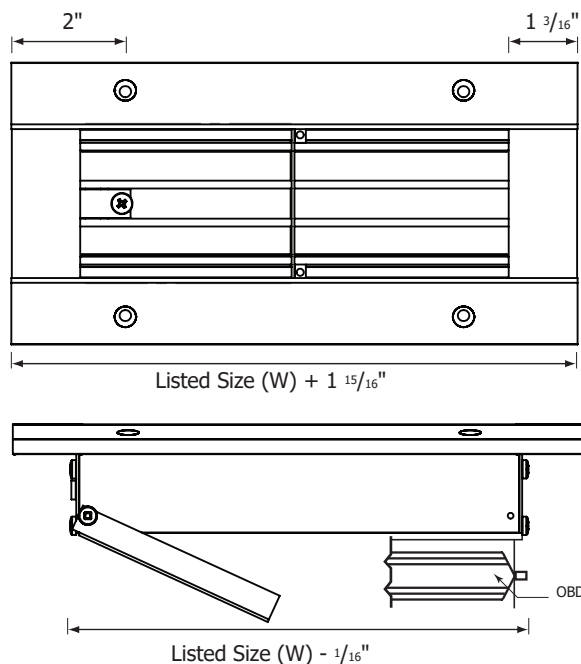
Horizontal Face Blades

- GDS10-H** Steel Fins
- GDS17-H** Steel Opposed Blade Damper
- GDS18-H** Steel Fins with Air Scoop

Vertical Face Blades

- GDS10-V** Steel Fins
- GDS17-V** Steel Opposed Blade Damper
- GDS18-V** Steel Fins with Air Scoop

Nice feature: Fins follow the curve on the face of the grille.



Options

 -GK (1/2" x 1/2" thick)


Finish

- /W White (default) /M Mill Finish Custom (please specify)

Duct D	H= List Height					
	3"	4"	6"	8"	10"	12"
6"						
8"						
10"						
12"						
14"						
16"						
18"						
20"						
Over 20"						

Schedule type: _____

Job: _____

Architect: _____

Engineer: _____

Contractor: _____